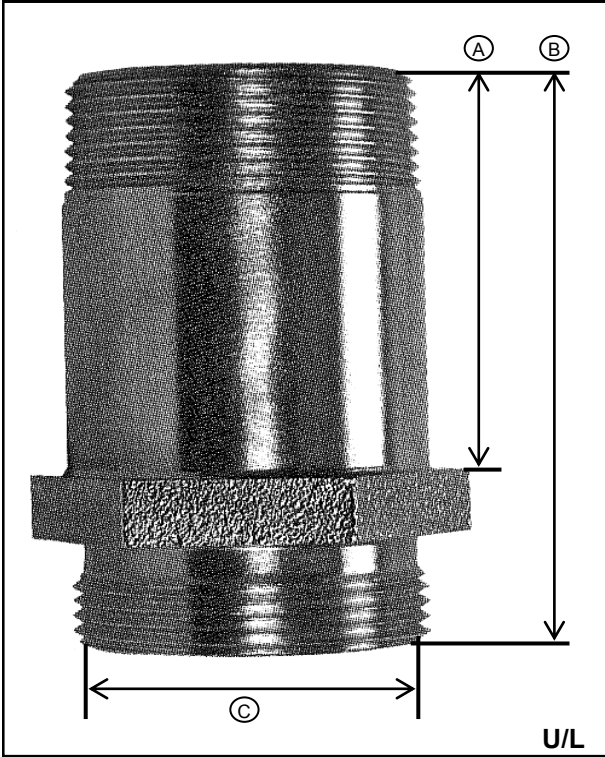


# ALUMINUM RACK NIPPLE

P/N 21-017A



**ALUMINUM RACK NIPPLE**

**FUNCTION:** Used to support hose rack from valve and adapt pipe thread to hose thread. Aluminum refined male threads NST x NPT adapts of the racks open of 2-1/2".

A- 7.4 cm  
 B- 10.5 cm  
 C- 6.4 cm

